

ABS submersible dewatering accessory floatation system J84 - J604

General

ABS floatation system offers a modular system and cover pumps from 70 to 600 kg. The modular floatation system is easy to build and use to any of ABS dewatering pumps J84 to J604. Other pump types may be used after checking the lifting capacity.

The ABS floatation system offers:

- Safe installation with approved and classified 2 part lifting chain mounted on the lifting stand.
- Easy to adjust the length of the chain, for pump to be installed in the water correctly.
- Compact light weight design which is easy to install together with the pump.
- Flexible design with few parts required to build a floatation system for a variety of pumps. You simply add on another floatation module to increase the floating capacity.



Application

When a submersible drainage pump requires to be installed floating - ABS has the solution. In gravel pits, quarries, construction sites or on lakes for fountain applications it is often required to have the pump floating close to the surface.

The ABS floatation system

- Allows submersible pumps to float.
- Makes pumps visible and easy to identify where installed.
- Avoids unnecessary wear and the pumps will remain in good condition.

Material

Floatation ring/block: Oil resistant polyethylene filled with expanding polystyrene

Lifting stand/Corner covers: Hot dipped galvanized steel

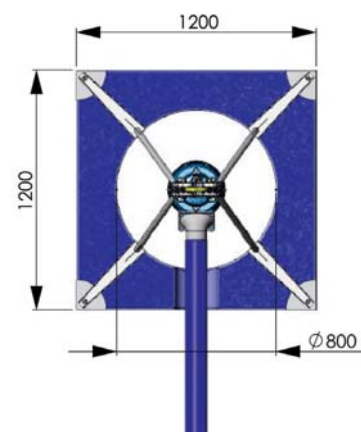
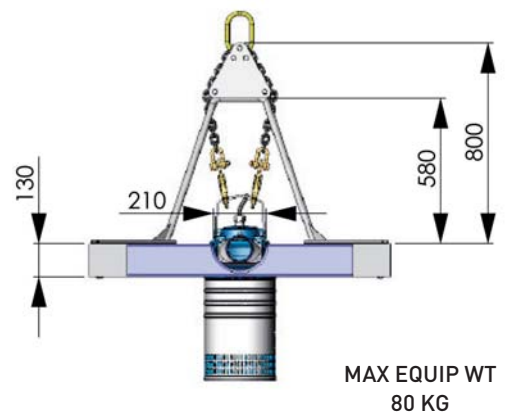
Stud screw and nuts: Chemical galvanized steel

Procedure

ABS floatation system is available as complete kits and as individual parts allowing the customer to design its own version if required. The complete kit includes an assembly and installation instruction, guiding you through the easy assembly of the floatation rings/blocks and the lifting stands with the 2 part lifting chain. When lifting stand and floatation rings/blocks are mounted together, lift the unit on to the pump and attach the chain to the handle of the pump. Lift the complete floatation unit with pump in the lifting ring into its operation position. Anchor the floatation system.

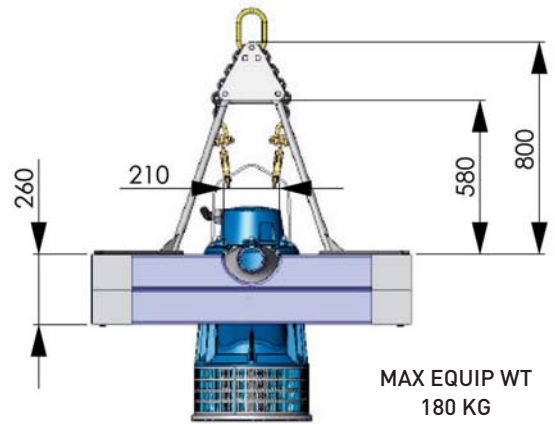
ABS floatation system J84

P/N	Description	Weight/Pce	Qty
00831911	ABS floatation system J84 compl.	33 kg	1
	Included parts		
00831890	Floatation ring	14 kg	1
00831891	1/4 corner cover	1.2 kg	4
00831918	Stud screw kit with nuts 125mm (4x)	0.35 kg	1
00831893	Lifting stand	9.0 kg	1
00831894	Screw/nut kit for lifting stand	0.5 kg	1
00831895	Lifting chain 2-part	3.9 kg	1



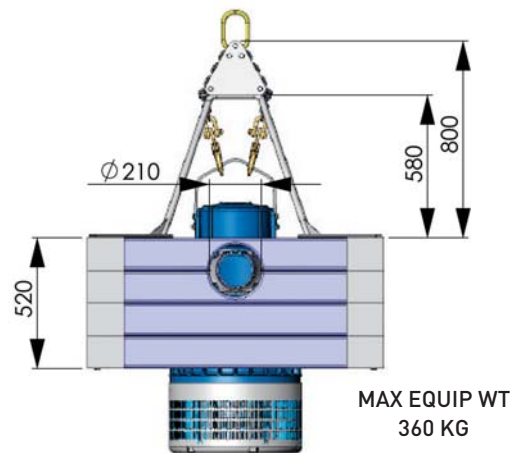
ABS floatation system J205

P/N	Description	Weight/Pce	Qty
00831896	ABS floatation system J205 compl.	52 kg	1
	Included parts		
00831890	Floatation ring	14 kg	2
00831891	1/4 corner cover	1.2 kg	8
00831912	Stud screw kit with nuts 260mm (4x)	0.5 kg	1
00831893	Lifting stand	9.0 kg	1
00831894	Screw/nut kit for lifting stand	0.5 kg	1
00831895	Lifting chain 2-part	3.9 kg	1



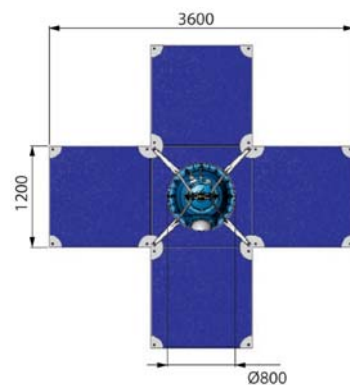
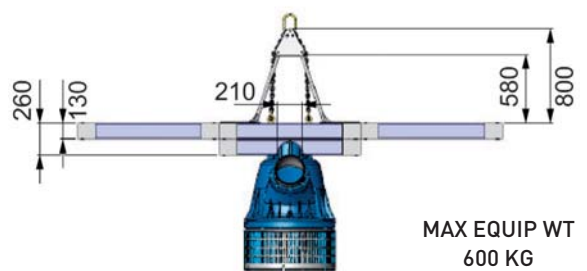
ABS floatation system J405

P/N	Description	Weight/Pce	Qty
00831913	ABS floatation system J405 compl.	90 kg	1
	Included parts		
00831890	Floatation ring	14 kg	4
00831891	1/4 corner cover	1.2 kg	16
00831917	Stud screw kit with nuts 525mm (4x)	0.9 kg	1
00831893	Lifting stand	9.0 kg	1
00831894	Screw/nut kit for lifting stand	0.5 kg	1
00831895	Lifting chain 2-part	3.9 kg	1

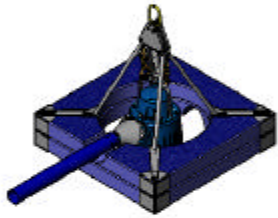
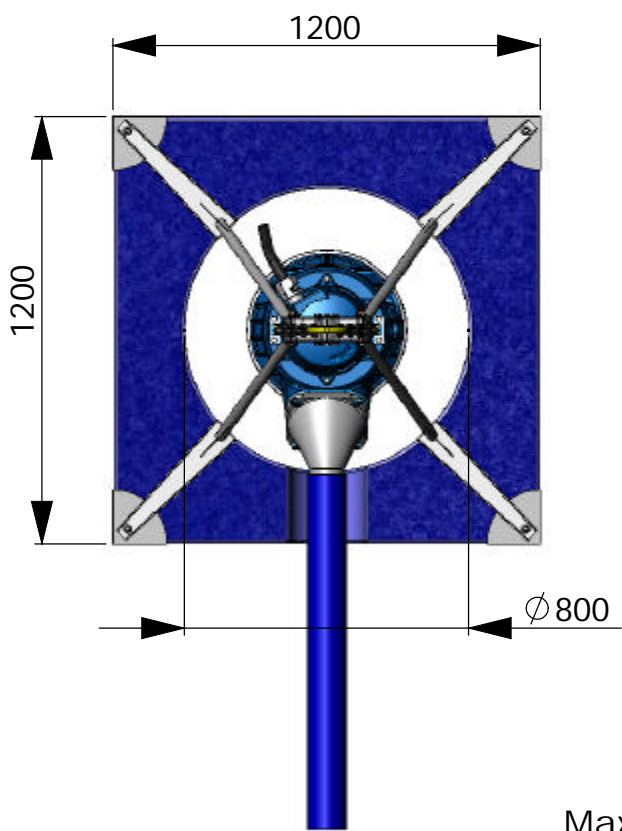
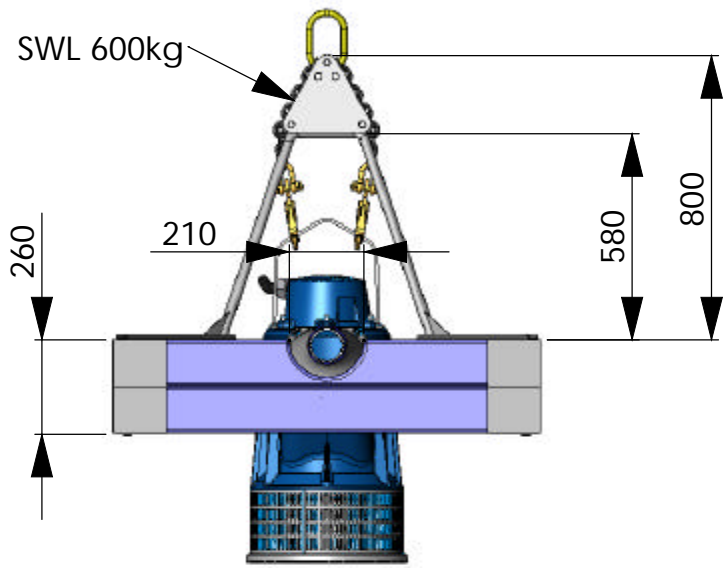


ABS floatation system J604

P/N	Description	Weight/Pce	Qty
00831914	ABS floatation system J604 compl.	158 kg	1
	Included parts		
00831890	Floatation ring	14 kg	2
00831915	Floatation block	22 kg	4
00831891	1/4 corner cover	1.2 kg	12
00831916	3/4 corner cover	3.0 kg	4
00831912	Stud screw kit with nuts 260mm (4x)	0.5 kg	1
00831918	Stud screw kit with nuts 125mm (4x)	0.35 kg	4
00831893	Lifting stand	9.0 kg	1
00831894	Screw/nut kit for lifting stand	0.5 kg	1
00831895	Lifting chain 2-part	3.9 kg	1



No	Qty	Change	Date	Name	Appr.
----	-----	--------	------	------	-------

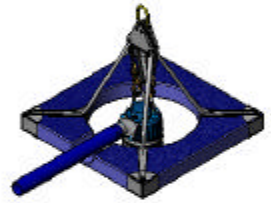
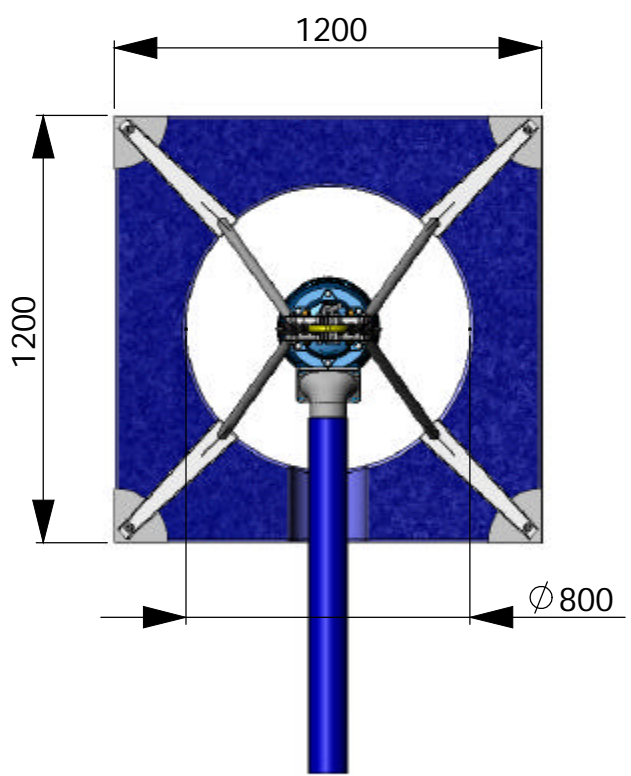
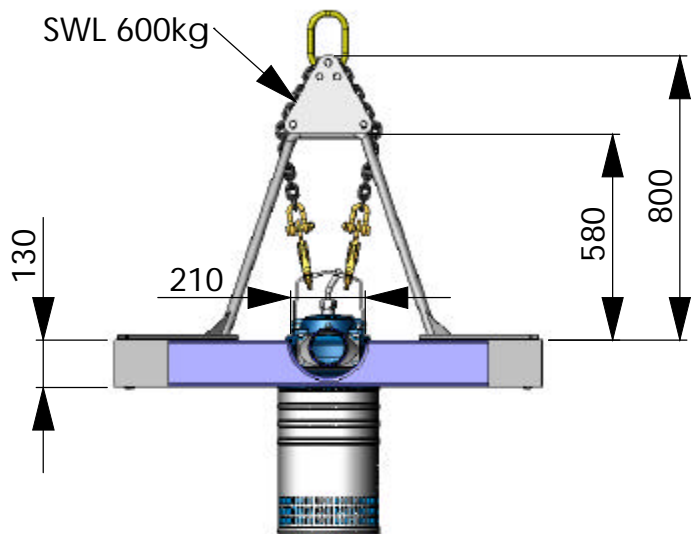


Scale 1:50

Max Equipment Weight: 180kg

Design	Drawn JL	Checked	Appr.	Scale 1:20	Regist.no	Material
Company			Title Flotation System J 205		Replaces	Date 081022
					Dwg.-no 00831896	CAD AA

No	Qty	Change	Date	Name	Appr.
----	-----	--------	------	------	-------

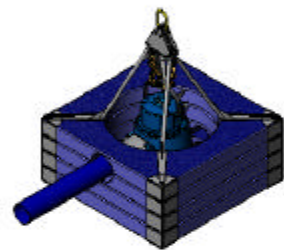
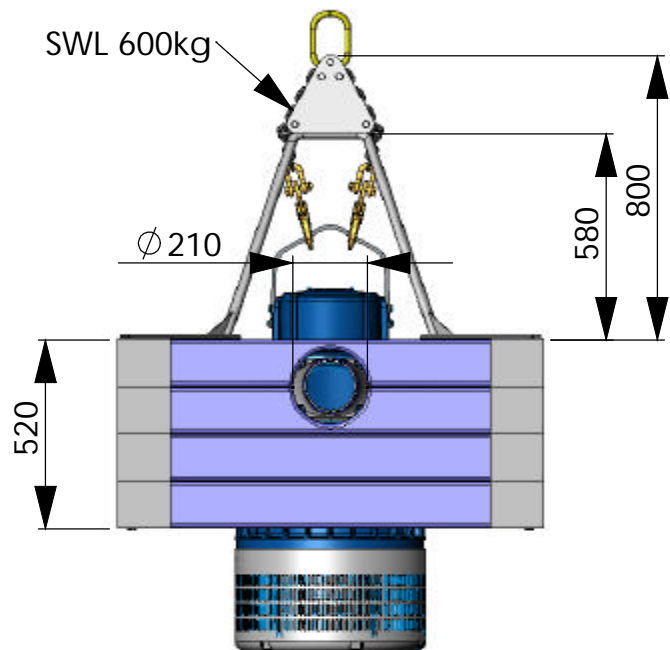


Scale 1:50

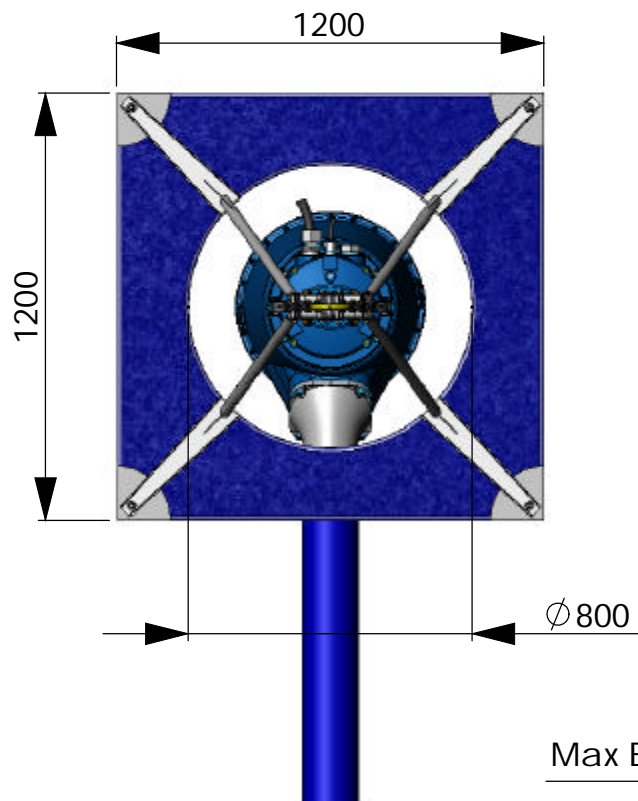
Max Equipment Weight: 80kg

Design.	Drawn JL	Checked	Appr.	Scale 1:20	Regist.no	Material
Company			Title Flotation System J 84		Replaces	Date 081023
					Dwg.-no 00831911	CAD AA

No	Qty	Change	Date	Name	Appr.
----	-----	--------	------	------	-------

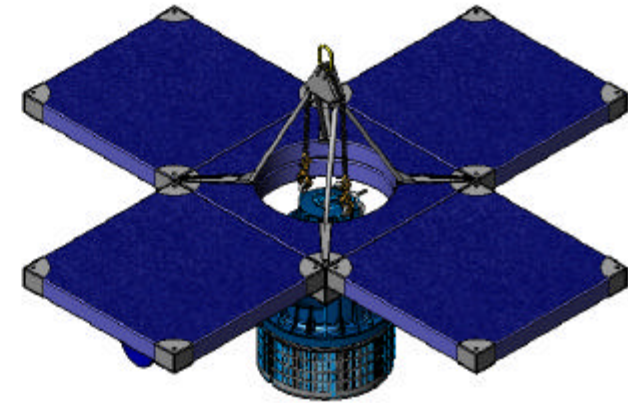
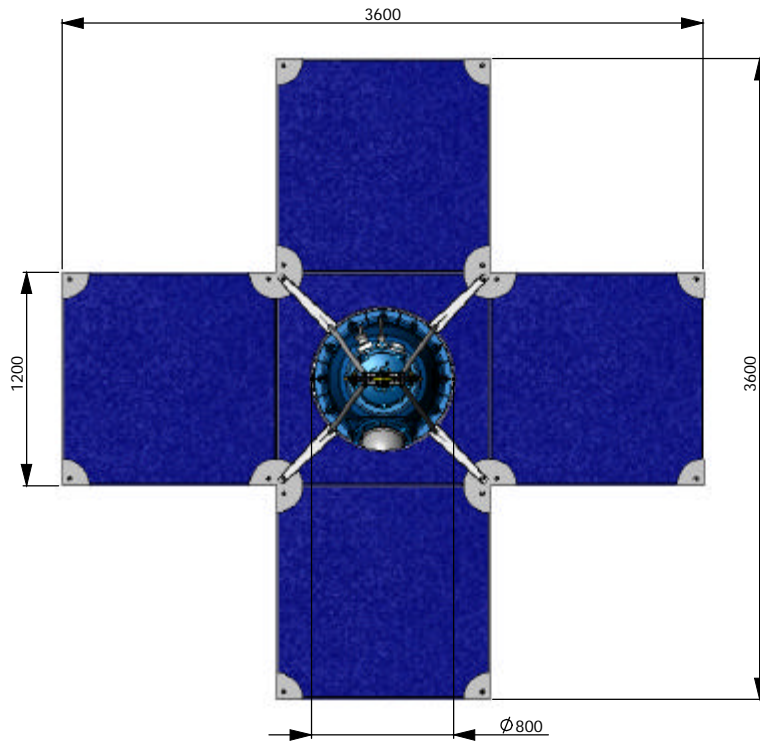
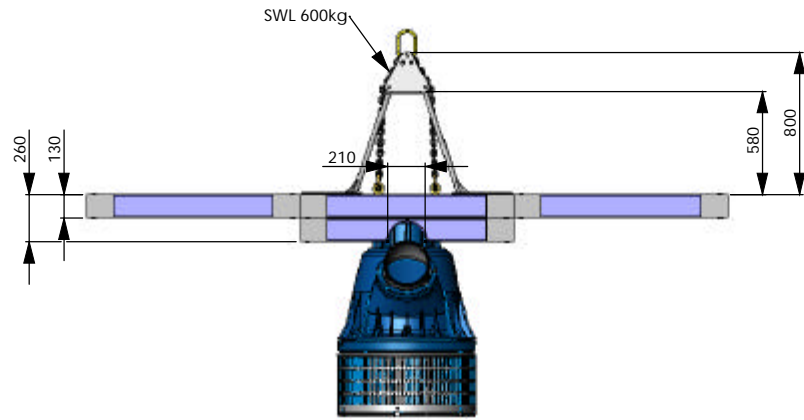


Scale 1:50



Max Equipment Weight: 360kg

Design	Drawn JL	Checked	Appr.	Scale 1:20	Regist.no	Material
Company			Title Flotation System J 405		Replaces	Date 081016
					Dwg-no 00831913 AA	CAD



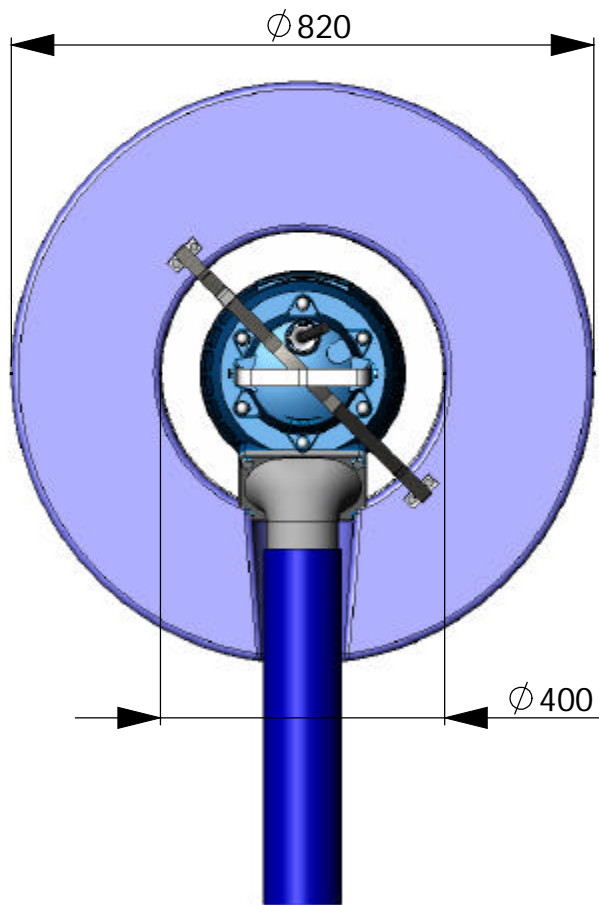
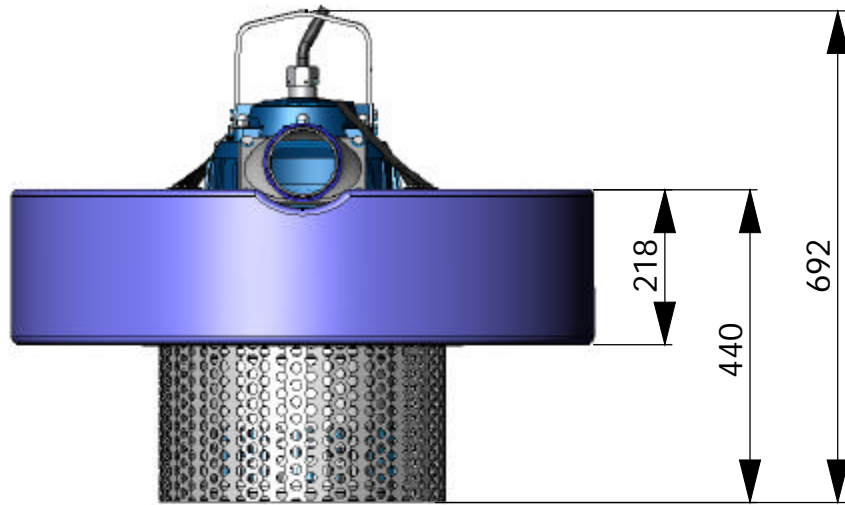
Scale 1:20

Max Equipment Weight: 600kg

No	Qty	Change	Date	Name	Appr.

Design	Drawn	Checked	Appr.	Scale	Regist.no	Material
	JL			1:20		
Company			Title		Replaces	
			Flotation System J 604		Date 081027	
					Dwg.-no 00831914 AA	

No	Qty	Change	Date	Name	Appr.
----	-----	--------	------	------	-------



Max Equipment Weight: 55kg

Design	Drawn JL	Checked	Appr.	Scale 1:20	Regist.no	Material
Company			Title Flotation System J 54		Replaces	Date 081210
					Dwg.-no 00831942	CAD AA