

ABS LIGHT DRAINAGE PUMP IP 900



The IP 900 is a high grade stainless steel pump for aggressive media. It is fitted with Vortex hydraulics with 30 mm free passage particularly suitable for the pumping of fluids containing gaseous or abrasive particles.

Applications

The IP 900 series is designed for the following applications:

- Pumping of aggressive media
- Pumping of clear water
- Pumping of rain water
- For blockage-free pumping of liquids which have a high proportion of solid or fibrous matter present
- Dewatering of buildings and sites

The pump can also be used for filling or emptying containers. It is suitable for use in septic tanks, for the emptying of flooded cellars and for drainage.

The Vortex hydraulics are particularly suitable for the pumping of fluids containing gaseous or abrasive particles.

Construction

- Discharge outlet with internal thread G 2"
- Water tight fully flood-proof high grade stainless steel motor
- Motor is dynamically balanced with temperature monitor in the stator, which switches off the pump in the case of overheating and switches on automatically after cooling down
- Shaft is made of high grade stainless steel 1.4401 (AISI 316)
- The sealing on the motor side is a silicon carbide mechanical seal
- The medium temperature is maximum 40° C; intermittent usage to 60° C (max. 5 min, only applies to the thermal behaviour of the motor and not to the aggressiveness of the medium)
- Hydraulic section with Vortex impeller (free solids passage 30 mm)

The standard IP 900 three phase version is supplied with CEE plug, the single phase version with Euro plug. A version with ABS float switch KS is available for automatic operation. A combination of high grade stainless steel 1.4401 (AISI 316), static seals of Viton and mechanical seal of silicon carbide, plus other features, make this the ideal pump for chemically contaminated wastewater, industrial effluent, and for use in agriculture.

Materials*

Motor housing/Volute _____ Stainless steel 14401 (AISI 316)
Rotor shaft _____ Stainless steel 14401 (AISI 316)
Impeller _____ Stainless steel 14401 (AISI 316)
Mechanical Seal _____ Silicon Carbide
Other Seals _____ Viton
Fasteners _____ Stainless steel 14401 (AISI 316)
Motor Cable _____ PVC
Float Cable _____ PVC
Float Housing _____ Polypropylene

*The suitability of the materials in the pump for the particular application is the responsibility of the user.



- Specially designed for aggressive media thanks to the use of high grade stainless steel (AISI 316), Viton seals and PVC cable
- Easy installation due to choice of pedestal or free standing mounting
- Vortex hydraulics with 30 mm free passage for blockage-free pumping
- Available in manual or automatic version

ABS LIGHT DRAINAGE PUMP IP 900

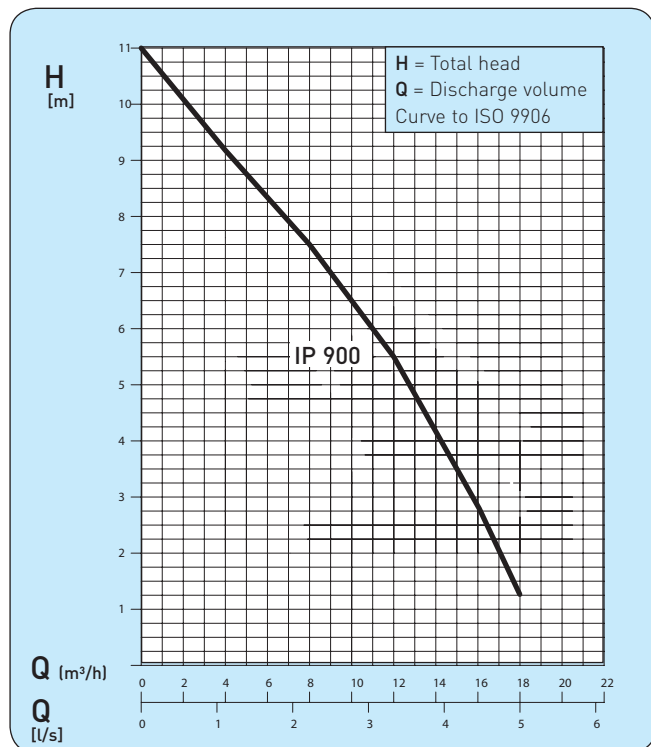
Technical Data

	Discharge connection	Motor power*		Speed at 50 Hz	Solids size	Rated voltage	Rated current	Cable** Length	Cable Type	Weight
	internal thread	P ₁ kW	P ₂ kW	min ⁻¹	mm	V	A	m		kg
IP 900 W+W/KS	G 2"	1.5	1.1	2900	30	220-240~	6.7	10	H05VV-3G1.0	12
IP 900 D+ D/KS	G 2"	1.4	1.1	2900	30	400	2.4	10	H05VV-4G1.0	12

* P₁ = Power taken from mains
P₂ = Power at motor shaft

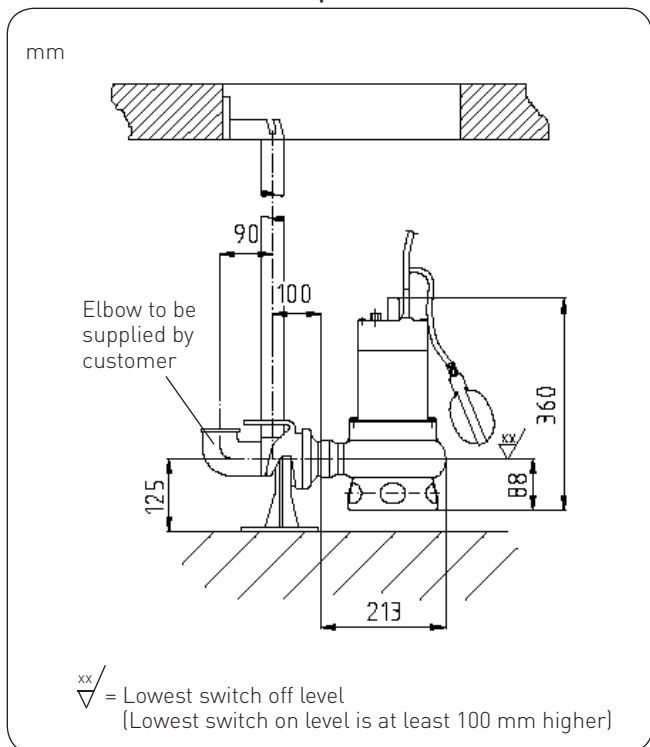
** = Single phase with Euro plug with earthing
Three phase with CEE plug

Performance Curve 50 Hz



Performance curve for 60 Hz is available on request.

Dimensions (for cast-iron pedestal)



Accessories

Description (Material)	Part No.
<input type="checkbox"/> Pedestal (EN-GJL-250) without Bend G 2"	62320560
<input type="checkbox"/> Pedestal (Stainless steel) without Bend G 2"	62320690

