

# ABS CORONADA LIGHT DRAINAGE PUMP 200



**Stainless steel submersible pump for wastewater containing solids up to 10 mm**

## Applications

### ABS Coronada light drainage pump 200 standard

- For removing nuisance water from drainage pits, gullies and pedestrian underpasses
- For pumping out flooded cellars and underground galleries. For draining swimming pools and circulation in ponds (please ensure that the relevant electrical regulations are observed)
- For emptying and filling of containers

### ABS Coronada light drainage pump 200 SX version

For aggressive wastewater, pump is supplied with mechanical seal, motor shaft high grade stainless steel (1.4571/AISI 316), seals of VITON and cable with PVC cover.

ABS Coronada 200 - without float switch for portable use. The ABS Coronada KS-versions are suitable for permanent operation with the KS float switch for automatic level control.

The KS float switch functions reliably even when the cable has become twisted due to heavy water inflow or turbulence.



## Construction

Fully flood-proof pressure tight encapsulated unit construction. Outer jacket, motor housing and shaft of stainless steel.

### Motor

Single-phase 50 Hz and 60 Hz, 2-pole (2900 min<sup>-1</sup> at 50 Hz, 3400 min<sup>-1</sup> at 60 Hz), insulation class F, protection type IP 68 motor housing with oil fill (does not harm the environment). Unrestricted circulation of the pumped medium for optimum dissipation of heat generated by the motor.

### Bearings

The stainless steel rotor shaft is supported in lubricated-for-life ball-bearings.

### Shaft sealing

Motor side: lip seal, fluid side: mechanical seal suitable for continuous work.

### Discharge connection

At the top with G 1 1/4" N.B.B.S.P. internal thread. The ABS Coronada is fitted with a two stage hose nozzle and with integral check valve.

### Medium temperature

40° C, short term to 60° C (max. 5 min)

### Materials ABS Coronada

Outer jacket \_\_\_\_\_ Stainless steel 1.4401 (AISI 316)  
 Motor housing \_\_\_\_\_ Stainless steel 1.4401 (AISI 316)  
 Rotor shaft \_\_\_\_\_ Stainless steel 1.4021 (AISI 420)  
 Float housing \_\_\_\_\_ Polypropylene  
 Impeller \_\_\_\_\_ Polyamide  
 Screen \_\_\_\_\_ Polypropylene  
 Cable \_\_\_\_\_ Neoprene

- Housing and discharge of corrosion resistant stainless steel
- For emptying flooded cellars and removing nuisance water from drainage pits. SX versions for aggressive wastewater
- The ABS Coronada is ready for immediate use. For transportable applications the hose nozzle, designed for two standard hose sizes, is ready for direct hose connection
- The ABS Coronada is available with float switch for permanent installation
- The checkvalve built into the discharge blocks return-flow from the discharge line when the pump is switched off

### Materials ABS Coronada SX

Outer jacket \_\_\_\_\_ Stainless steel 1.4401 (AISI 316)  
 Motor housing \_\_\_\_\_ Stainless steel 1.4401 (AISI 316)  
 Rotor shaft \_\_\_\_\_ Stainless steel 1.4571 (AISI 316 Ti)  
 Float housing \_\_\_\_\_ Polypropylene  
 Impeller \_\_\_\_\_ Polyamide  
 Screen \_\_\_\_\_ Polypropylene  
 Cable \_\_\_\_\_ PVC

The suitability of the materials in the pump for the particular application is the responsibility of the user.

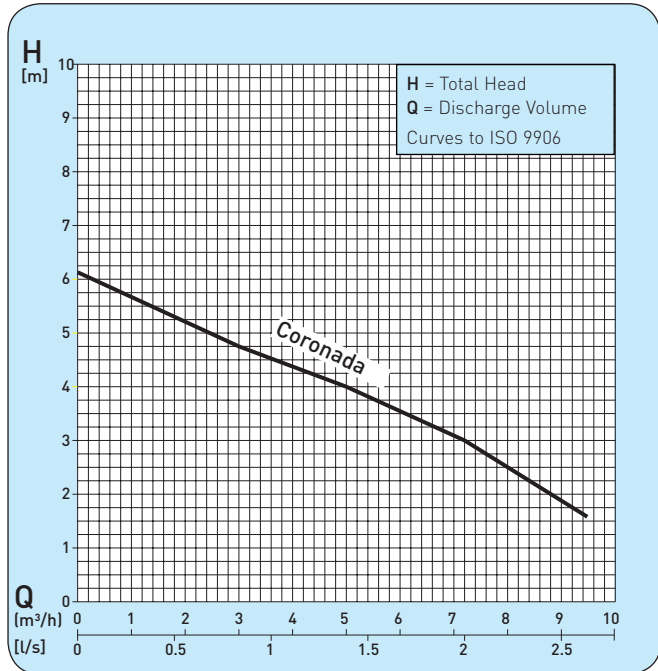
# ABS CORONADA LIGHT DRAINAGE PUMP 200

## Technical Data

	Discharge connection internal thread	Motor-power* P <sub>1</sub> kW P <sub>2</sub> kW	Speed at 50 Hz min <sup>-1</sup>	Rated voltage V	Rated current A	Cable** without/with KS H07RN-F3G1,0 m	Weight kg
Coronada 200 W + SX W	G 1 1/4"	0.30 0.16	2900	Single-phase 220-240 ~	1.36	10 / 3***	6.5

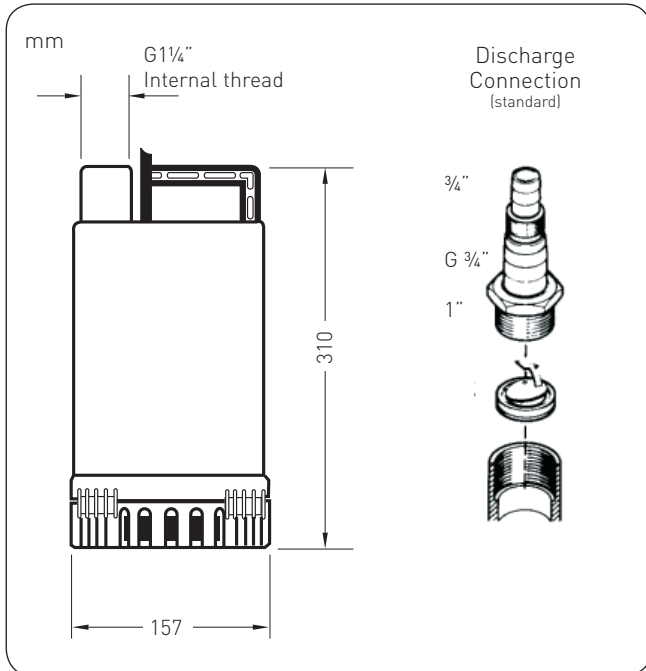
\*P<sub>1</sub> = Power taken from mains    \*\*with Euro-plug with earthing    \*\*\* For external applications, the following VDE regulations apply: Submersible pumps for use externally must have a fixed cable connection with a length of at least 10 m. Regulations vary in other countries.

## Performance Curve 50 Hz



Performance curve for 60 Hz is available on request.

## Dimensions



Accessories (Material)	Size	Part No.
□ Hose connection piece 90° angle (PP) with fixed coupling (brass)	GEKA G 1 1/4"	61170101
□ Gate valve (brass) with internal thread	G 1 1/4"	14040005
□ Double nipple (PVC)	G 1 1/4"	13770011
□ Sump cover (St 37) with frame and seal	500 x 500 mm 700 x 700 mm	14990051 14990052
□ Automatic level control insertable for single phase AC pumps with DIN plug	KS-Z 10 = 10 m KS-Z 20 = 20 m	08410205 08410206
□ Control unit for double pumping station, with automatic changing of the start sequence, alarm-horn and potential-free fault indicator. For further information contact ABS		
□ Plug in alarm for DIN type socket 230 V with audible alarm, alarm diode and cancel button potential-free fault output, mains-operated, however, supplied with loading unit for mains independent operating		16020201
□ NC-batteries 9VTR 7-8, for mains independent operating		12820018
□ Alarm contact float with ABS float switch KS	KS 5 = 5 m KS 10 = 10 m	62450016 62450017

## Installation Example

