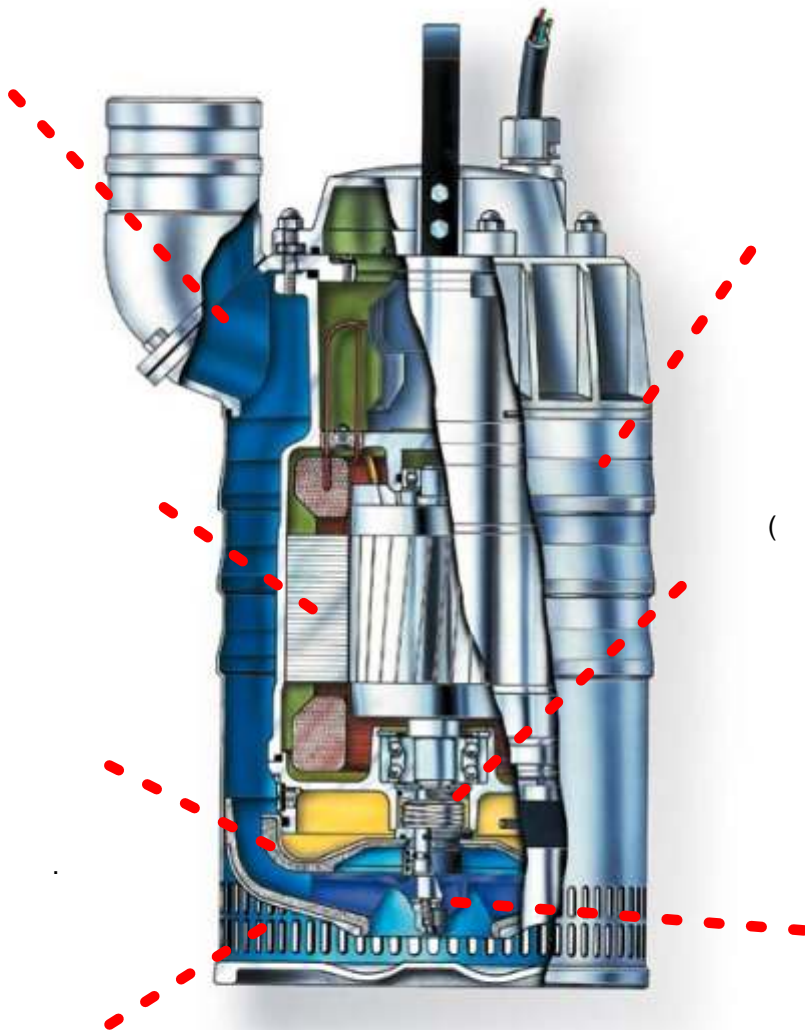




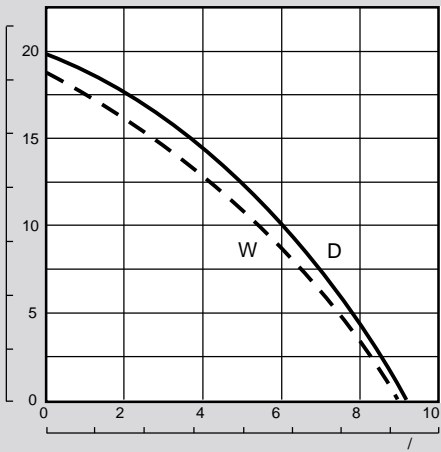
ABS J-

20

J -



60 Rc.

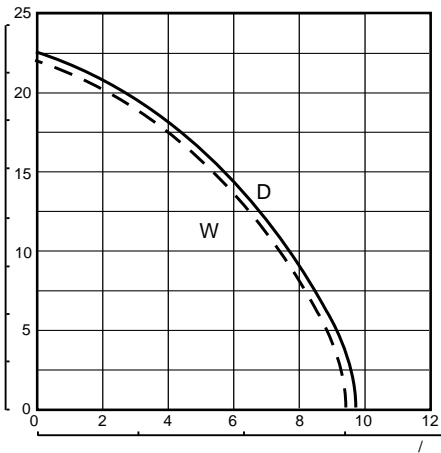
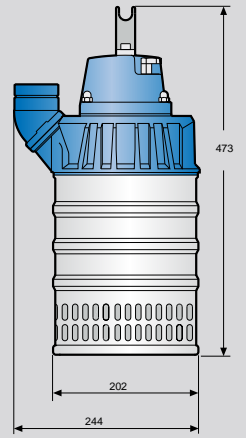


ABS

J 12

J 12 W/J 12 WKS*
J 12 D/J 12 DKS*

P₁ 1.1
P₂ 1.5
()
()
115/230 ()
230/380/460/575 ()
13.0 / 6.5 ()
4.4/2.7/2.2/1.8 ()
3310 / ()
3400 / ()
20
1 ", 2" (), 2 ", 3"
() 16

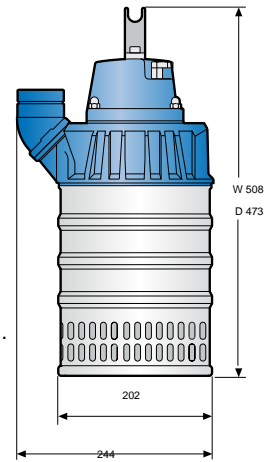


ABS

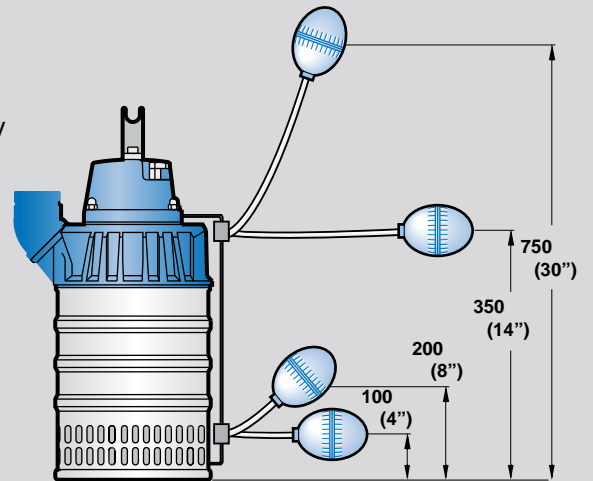
J 15

J 15 W/J 15 WKS*
J 15 D/J 15 DKS*

P 1.5
P₁ 1.9
()
(A)
230 ()
230/380/460/575 ()
8.5 ()
5.4/3.3/2.7/2.2 ()
3400 /
20
1 ", 2" (), 2 ", 3"
D: 16,5
W: 18



J 12 115-230 , J 15 230 () J 12 J 15, 230/460V
()
(/).



ABS

EPD®

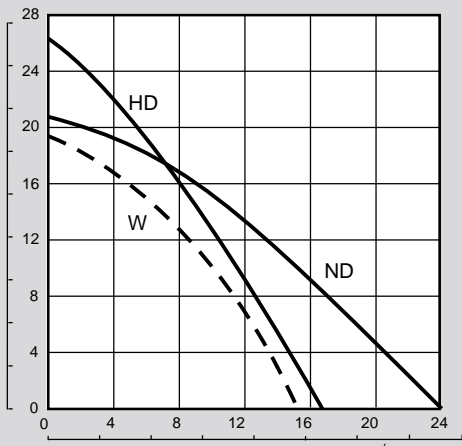
EPD



2 ..

- 1)
- 2)
- 3)

ABS

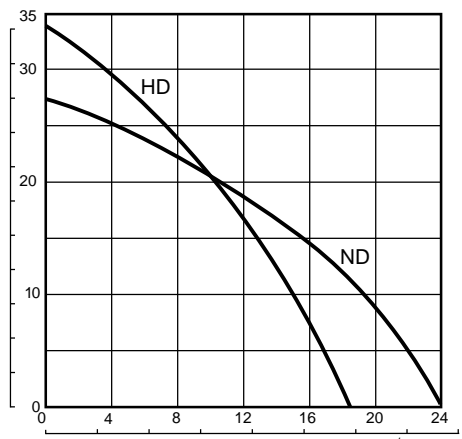
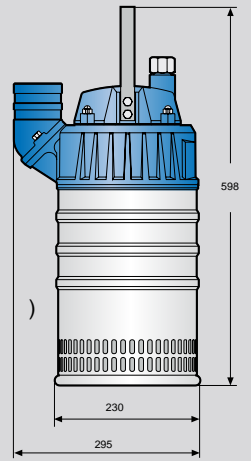


ABS

J 24 W
J 24 ND
J 24 HD

J 24

P_2 2.8 ()
 P_1 1.9 ()
 3.6 ()
 2.6 ()
 230 ()
 230/380/460/575 ()
 (A) 13.4 ()
 10.4/6.3/5.2/4.2 ()
 3310 () 3400 / ()
 20
 2 ", 3", 4"
 () 27



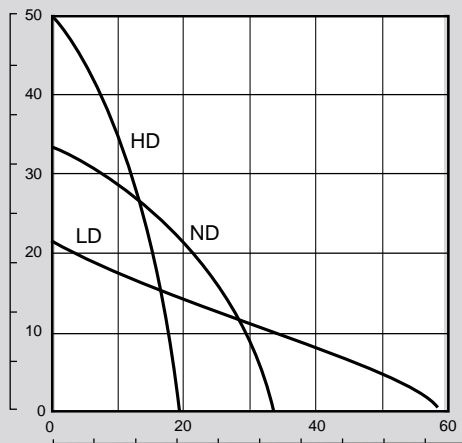
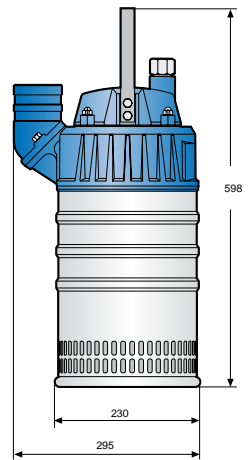
ABS

J 44 ND
J 44 HD

J 44

P_2 4.8
 P_1 5.2
 230/380/460/575
 (A) 14.4/8.7/7.2/5.8
 3400 /
 20
 2 ", 3", 4"
 () 36

PU Lining (HD).



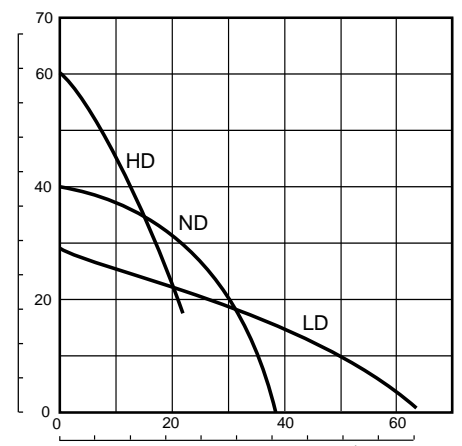
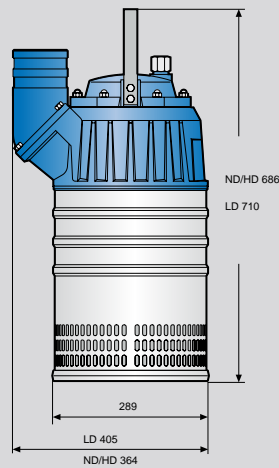
ABS

J 54 ND
J 54 HD
J 54 LD

J 54

P_2 6.6
 P_1 7.8
 230/380/460/575
 (A) 22/13.3/11/8.8
 3400 /
 20
 3", 4", 6";
 () 50
 J54LD

PU Lining (HD).

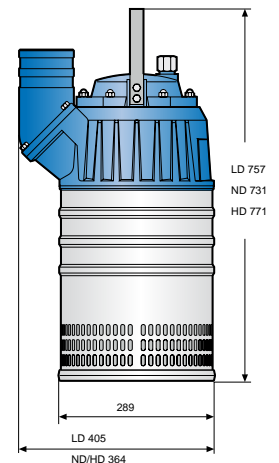


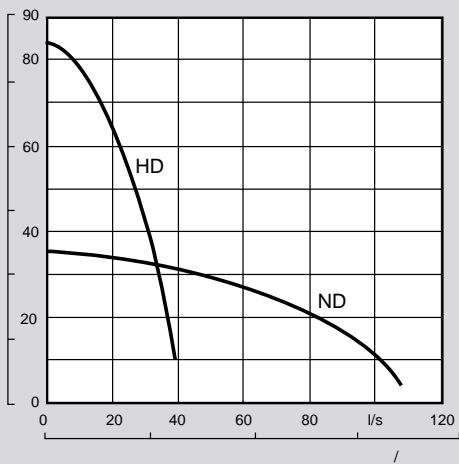
ABS

J 84 ND
J 84 HD
J 84 LD

J 84

P_2 11
 P_1 12.5
 230/380/460/575
 (A) 34/20/17/13.5
 3400 /
 20
 J84L



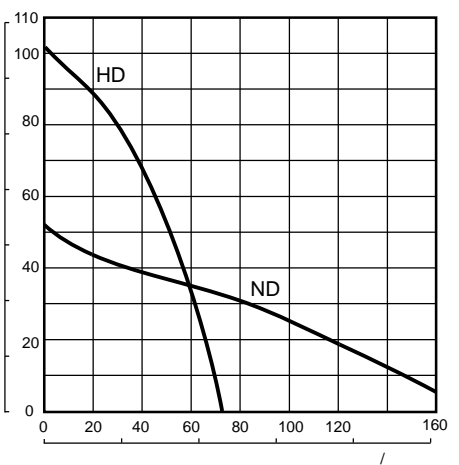
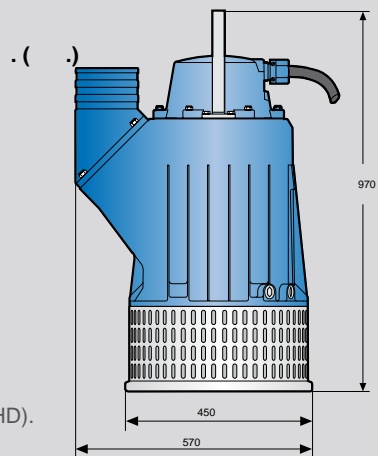


ABS

J 205 ND
J 205 HD

()
(A)
P₂ 25
P₁ 29
230/380/460/575
82/50/41/33
3500 /
20
4", 6", 8"
) 155

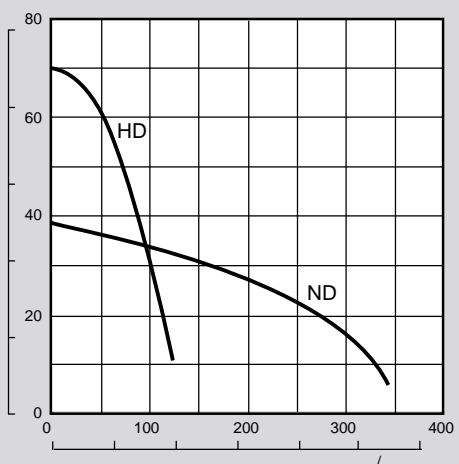
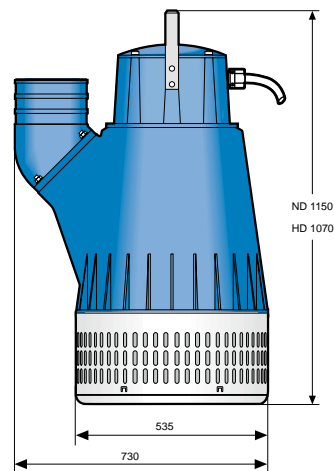
PU Lining (HD).



ABS

J 405 ND
J 405 HD

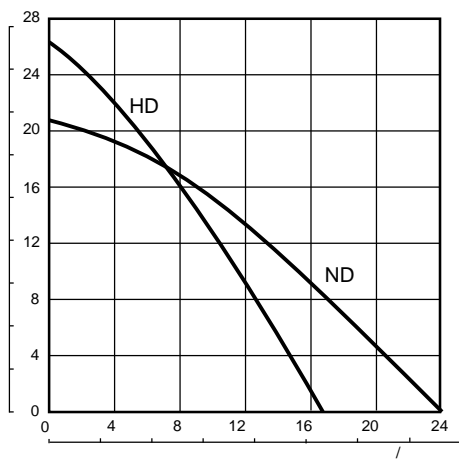
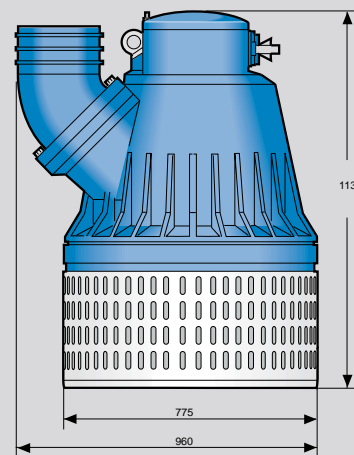
()
(A)
P₂ 41
P₁ 46
230/380/460/575
132/80/66/53
3450 /
20
4", 6", 8"
270



ABS

J 604 ND
J 604 HD

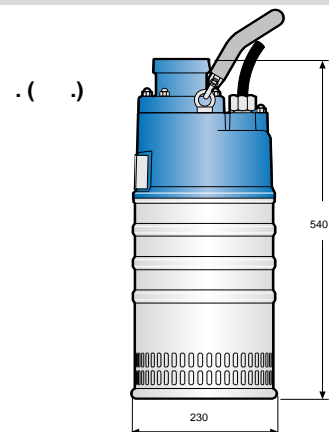
()
(A)
P₂ 70
P₁ 76
230/380/460/575
226/137/113/91
1732 /
20
6", 8", 10"
525

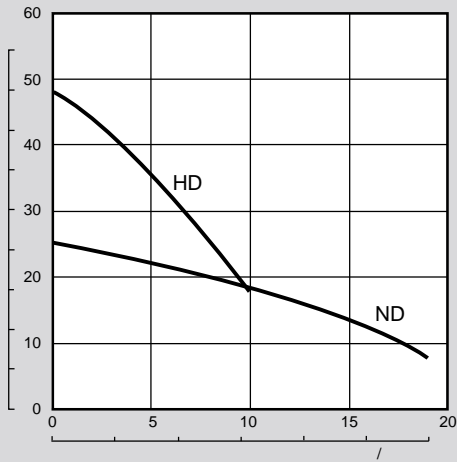


ABS

JC 24 ND
JC 24 HD

()
(A)
P₂ 2,8
P₁ 3,6
230/380/460/575
10.4/6.3/5.2/4.2
3400 /
20
3"



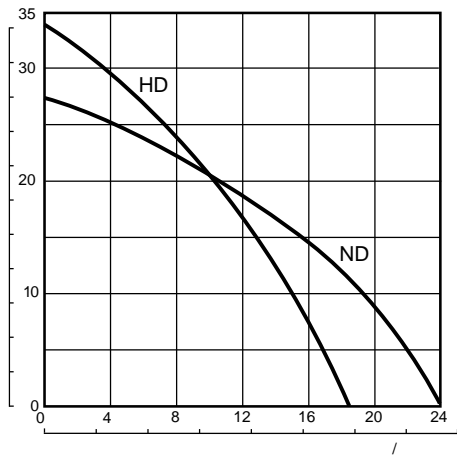
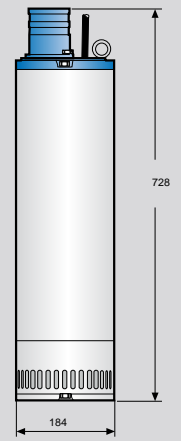


ABS

JC 34 ND
JC 34 HD

JC 34

| | |
|-------|-----------------|
| P_2 | 4.3 |
| P_1 | 5.4 |
| () | 230/380/460/575 |
| (A) | 16/9.7/8/6.4 |
| | 3400 / |
| | 20 |
| | 2", 3" |
| () | 31 |

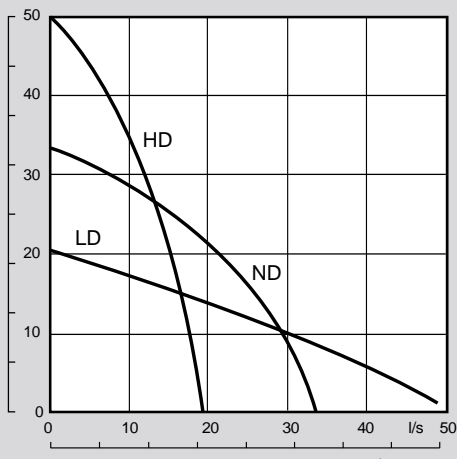
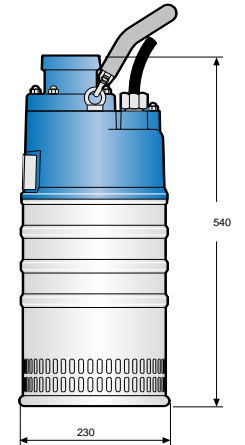


ABS

JC 44 ND
JC 44 HD

JC 44

| | |
|-------|------------------|
| P_2 | 4,8 |
| P_1 | 5,2 |
| () | 230/380/460/575 |
| (A) | 14.4/8.7/7.2/5.8 |
| | 3400 / |
| | 20 |
| | 3" |
| () | 36 |

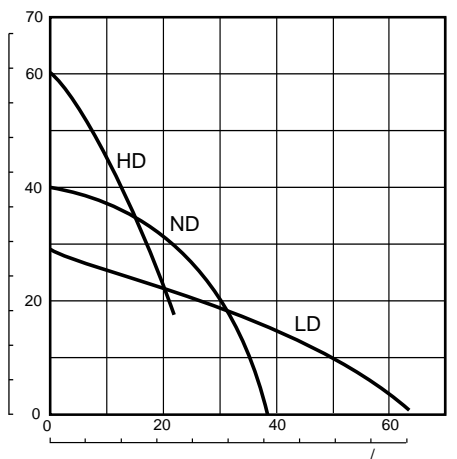
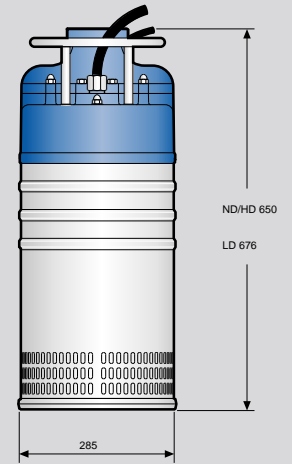


ABS

JC 54 ND
JC 54 HD
JC 54 LD

JC 54

| | |
|-------|-----------------|
| P_2 | 6.6 |
| P_1 | 7.8 |
| () | 230/380/460/575 |
| (A) | 22/13.3/11/8.8 |
| | 3400 / |
| | 20 (65) |
| | 3" , 4" |
| () | 50 |

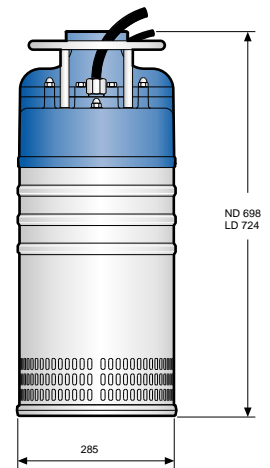


ABS

JC 84 ND
JC 84 HD
JC 84 LD

JC 84

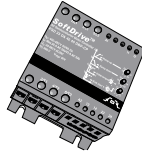
| | |
|---------|-----------------|
| P_2 | 11.0 |
| P_1 | 12.5 |
| () | 230/380/460/575 |
| (A) | 34/20/17/13,5 |
| | 3400 / |
| | 20 |
| JC84LD: | |



SoftDrive™
J 205.

ABS SoftDrive™

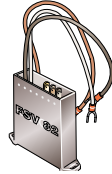
J 54, J 84



C

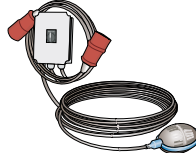
FSV 82

FSV 82



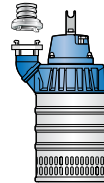
).

ABS.

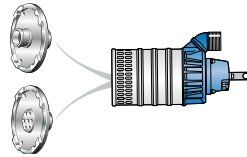


ABS

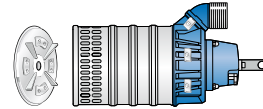
2" (C), 3" (B), 4" (A), 6" (F)



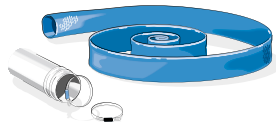
J 12, J 15 J 24



ABS



() 1", 1 1/2", 2",
2 1/2", 3", 4", 6", 8", 10".



ABS J/JC 24-84 JS24-84
()



ABS

PU Lining™,

ABS

J/JC 24-44, J/JC 54-84 J 205.

