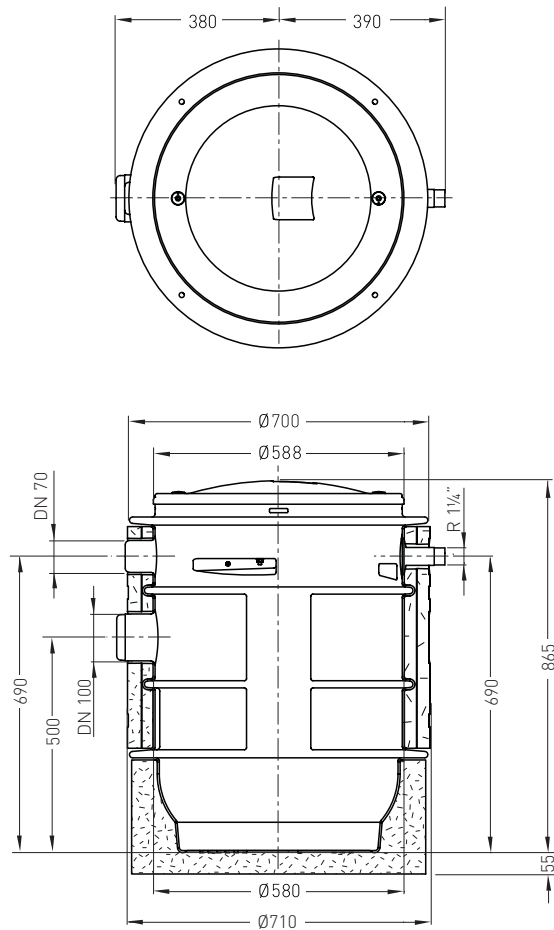


Technical Data

Piranha	Discharge		Motor power *		Rated current (A)	Rated** voltage (V)	Speed (r/min)	Cable *** (H07RN8-F)	Pump weight (kg)
	Pump (flange)	Pipe (thread)	P ₁	P ₂					
S12/2D	DN 32	R 1¼"	1.69	1.20	5.72	230 3~	2900	4G 1.5	32
S12/2D	DN 32	R 1¼"	1.69	1.20	3.29	400 3~	2900	4G 1.5	32
S17/2D	DN 32	R 1¼"	2.31	1.70	6.90	230 3~	2900	4G 1.5	32
S17/2D	DN 32	R 1¼"	2.31	1.70	3.97	400 3~	2900	4G 1.5	32
S21/2D	DN 32	R 1¼"	2.79	2.10	8.26	230 3~	2900	4G 1.5	37
S21/2D	DN 32	R 1¼"	2.79	2.10	4.75	400 3~	2900	4G 1.5	37
S26/2D	DN 32	R 1¼"	3.43	2.60	9.81	230 3~	2900	4G 1.5	40
S26/2D	DN 32	R 1¼"	3.43	2.60	5.64	400 3~	2900	4G 1.5	40

* P₁ = Power at mains; P₂ = Power at motor shaft. ** 230 V can operate as single phase using the appropriate control panel (see accessory table). *** Special rubber compound, free-end cable.

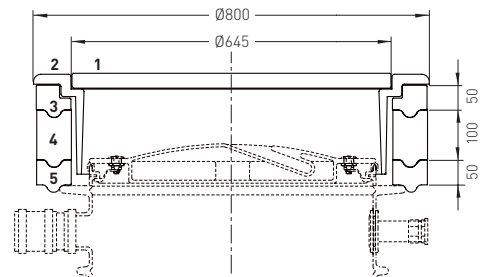
Dimensions (mm)



Inlet diameters

Ø	[mm]
DN 70	+0.2 ø75 -1.0
DN 100	+0.3 ø110 -1.0

Sump Cover



1. Cast iron lid
2. Cast iron frame
3. Synthetic frame-support ring
4. Concrete spacer ring
5. Synthetic support ring (sits on tank rib)

Accessories

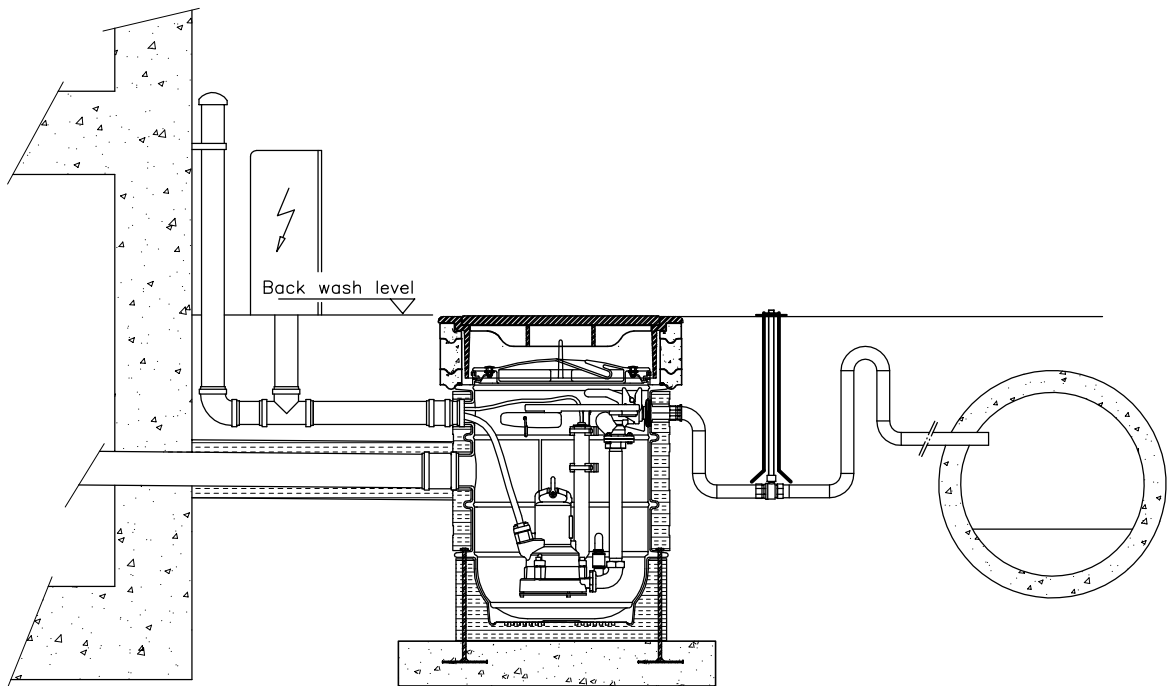
Description	Part no.
Insulation Jacket	62665343
Pressure Sensor	17225-1100-000
Vacuum Breaker	62665297
Sump Cover - for below-ground installations	On request
Control Panel - CP114: 230 V single phase, 7.5 A	62160870
CP114: 230 V single phase, 10.0 A	62160871
CP112: 230 V three phase	15207147
CP112: 400 V	15207145





Installation Drawing Synconta 700
Below Ground

AN-M 18.147 -00
Drawn by: B.McDonald
Issue Date: 03/04/09
Änderungen vorbehalten
Technical changes reserved
Con riserva di modifiche
Con reserva de modificaciones
Sous réserve de modification





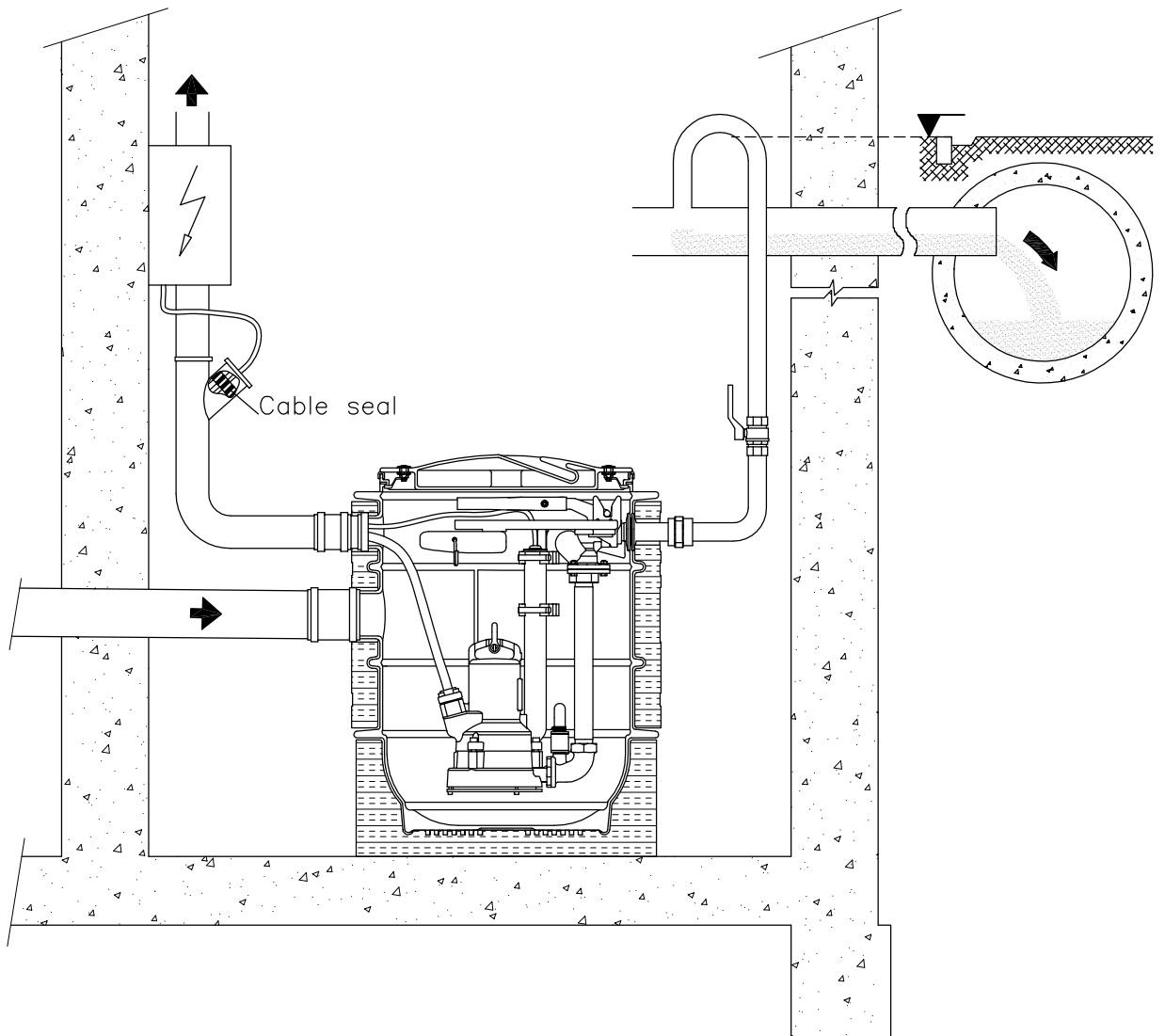
Installation Drawing Synconta 700
Above Ground

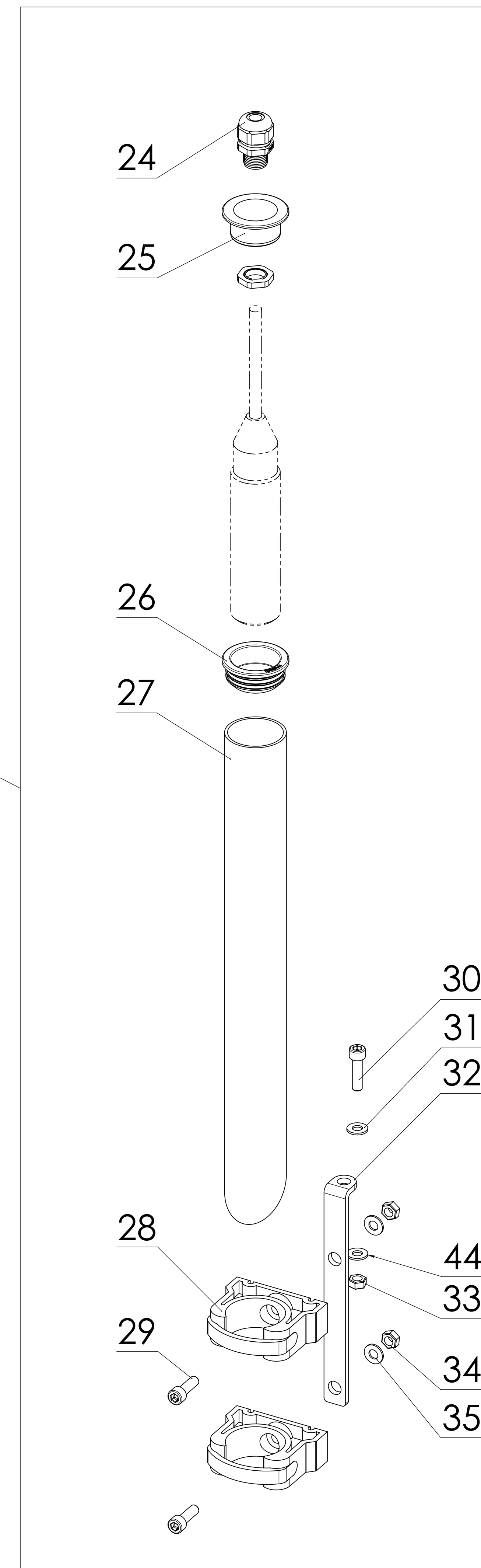
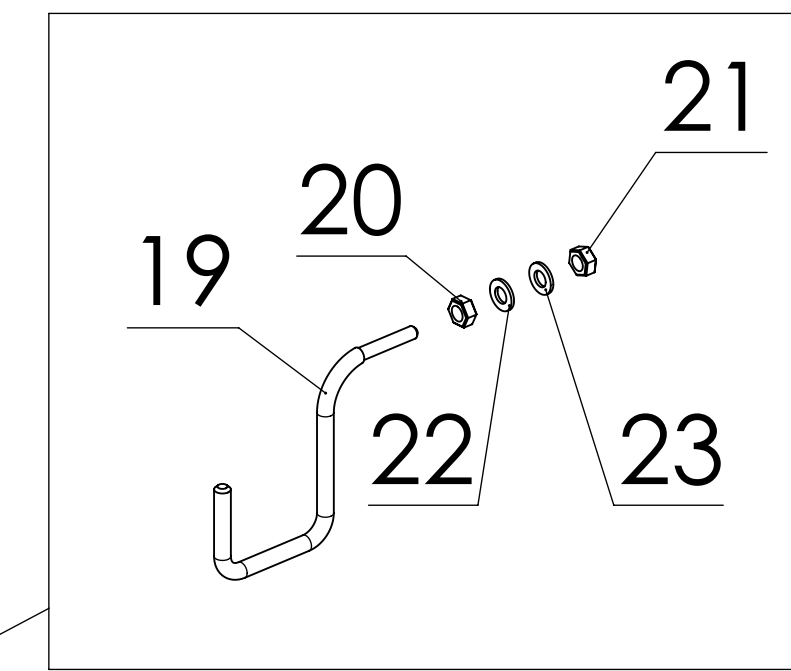
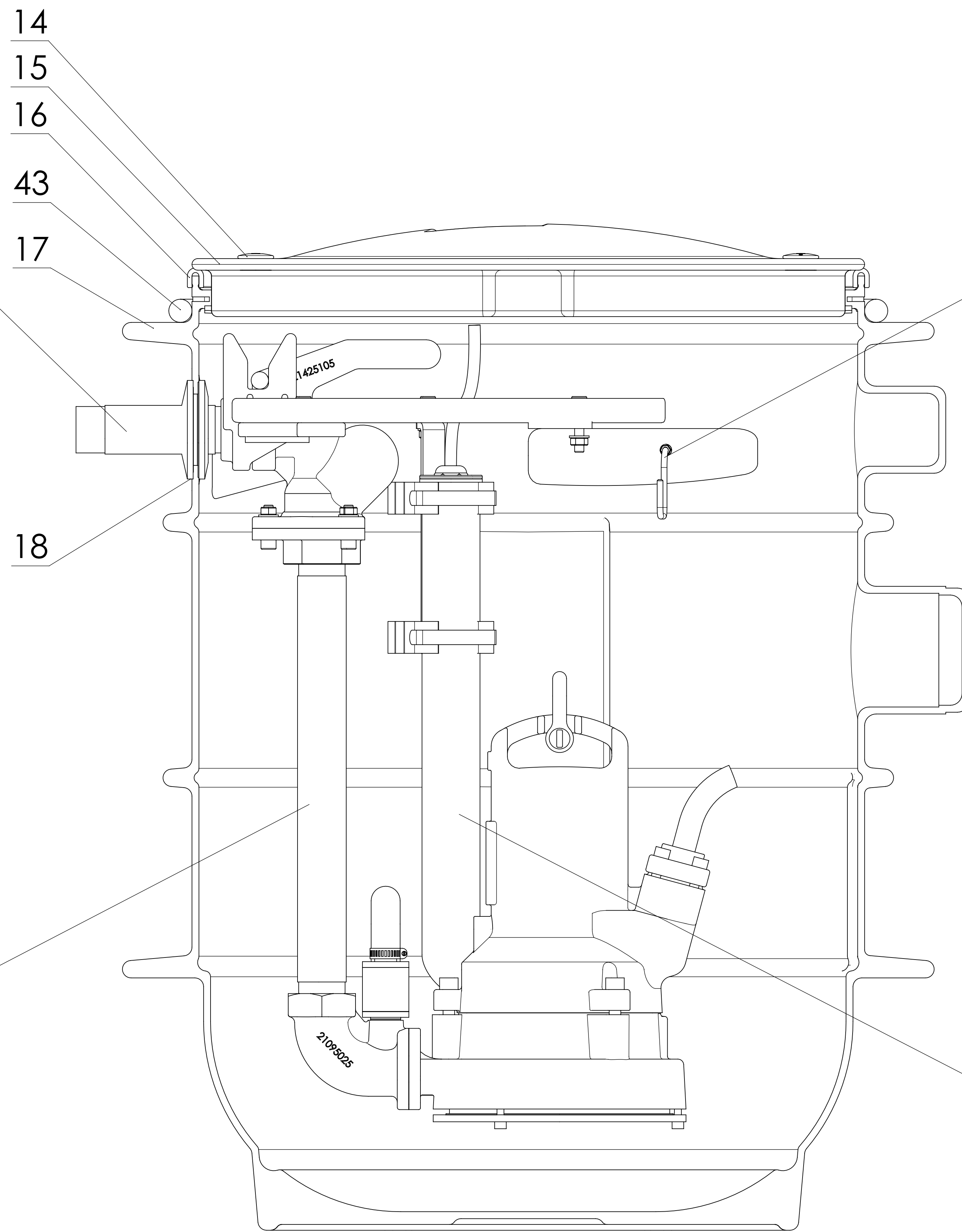
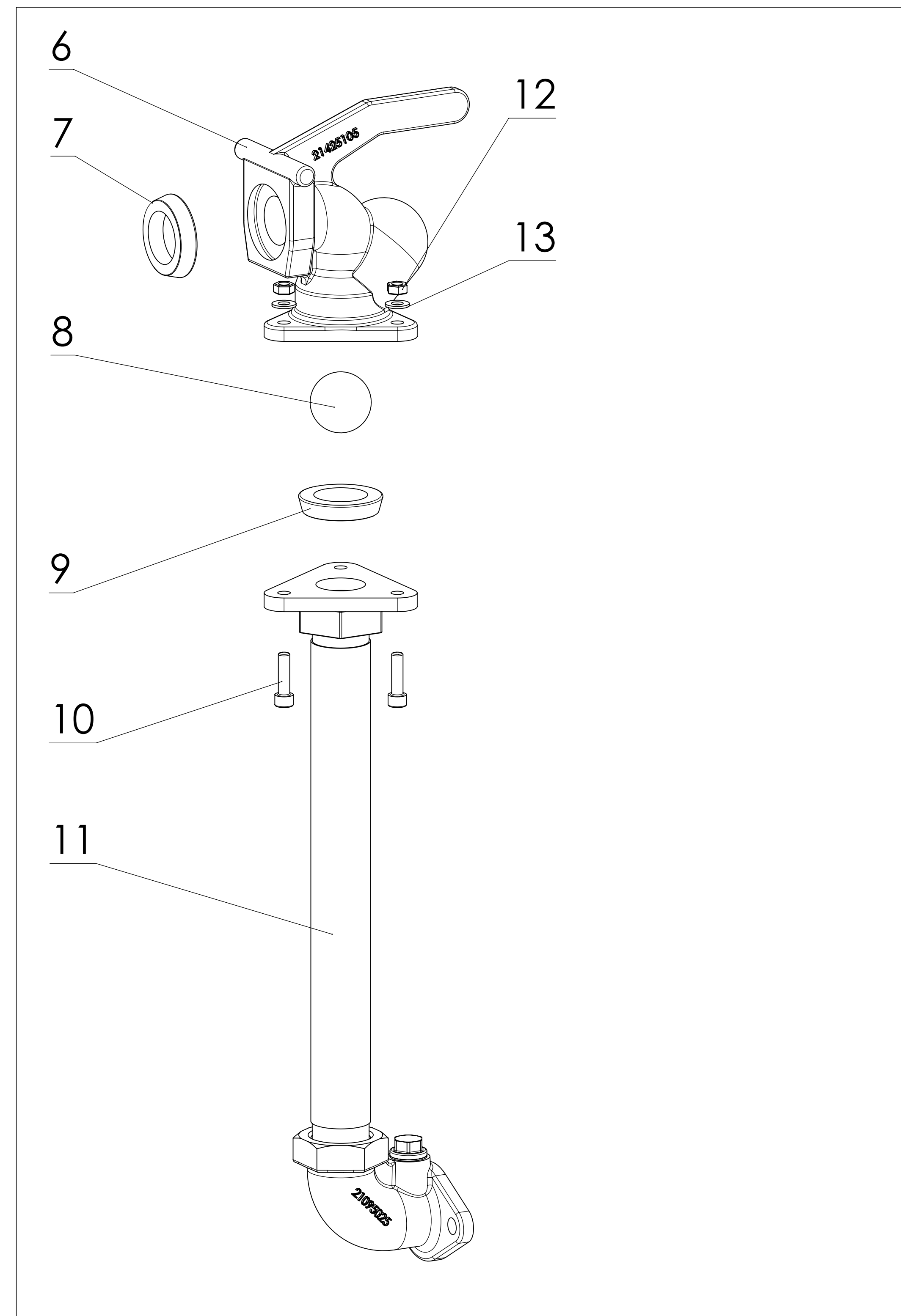
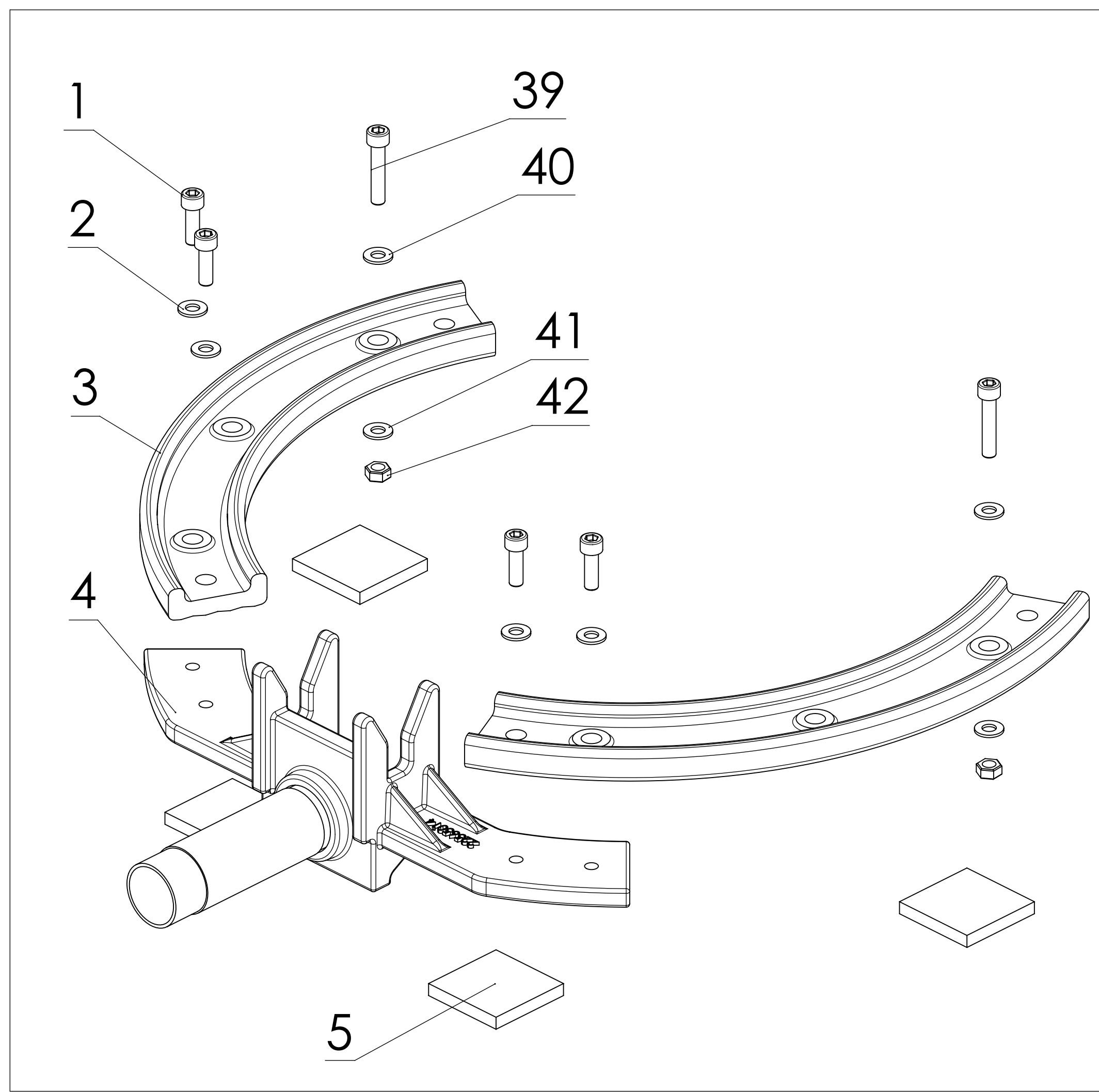
AN-M 18.146 -00

Drawn by: B.McDonald

Issue Date: 09/04/09

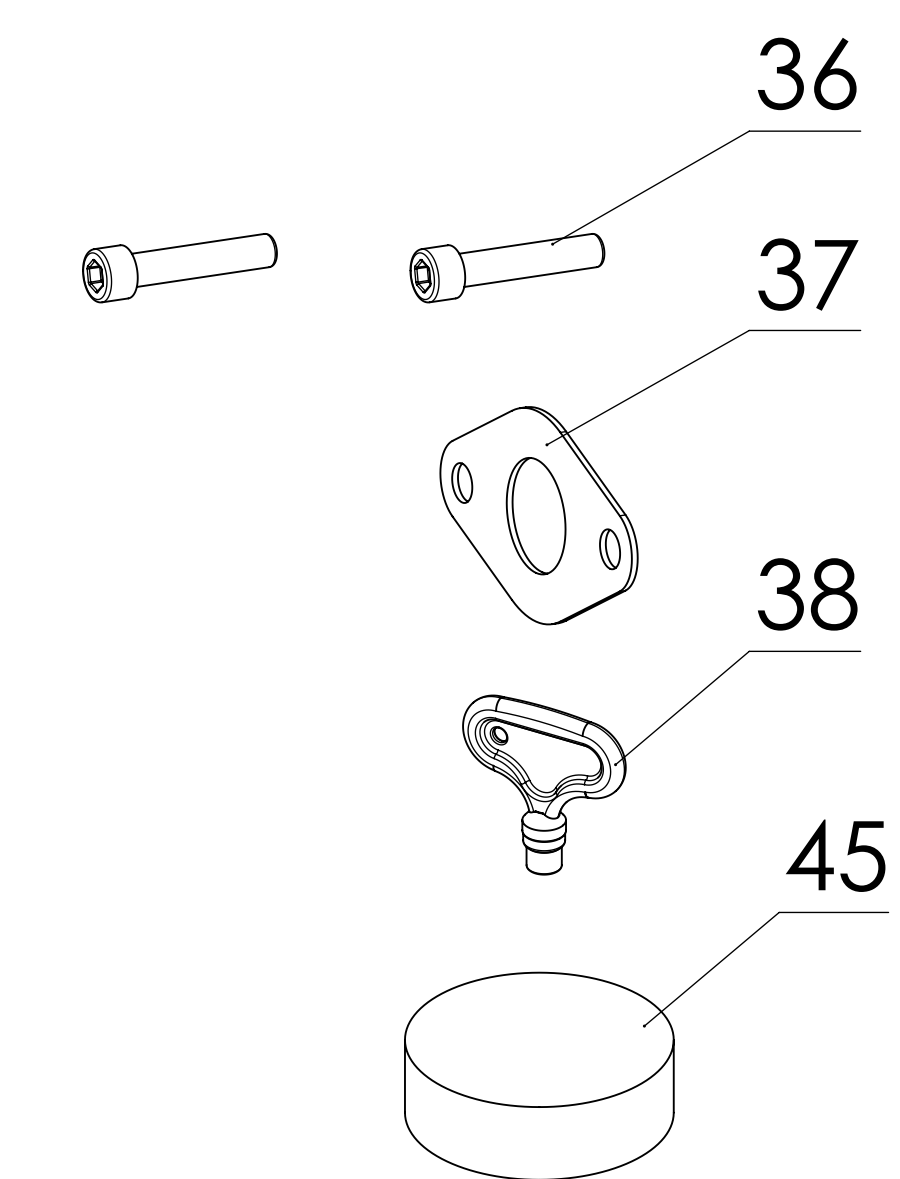
Änderungen vorbehalten
Technical changes reserved
Con riserva di modifiche
Con reserva de modificaciones
Sous réserve de modification





ITEM NO.	QTY.	PART NO.	DESCRIPTION
1	4	11210243	Screw Cyl M8x25 DIN912 1.4401
2	4	11470016	Washer A8.4 DIN125 1.4401
3	2	32485010	Ring DPC Upper & Lower Sanissett GG25
4	1	25105008	Pipework Discharge Synconta 700
5	4	44275012	Vibration Damper Sanimat 1000
6	1	31425105	Pedestal Bracket Synconta 700
7	1	43070179	Seal Pedestal Piranha 60x38x12
8	1	44270051	Ball Phenolic Resin Ø43mm
9	1	43070179	Seal Pedestal Piranha 60x38x12
10	3	11210238	Screw Cyl M8x30 DIN912 1.4401
11	1	25105007	Pipework Pump Synconta 700
12	3	11400084	Nut Hex M8 DIN985 1.4401
13	3	11470016	Washer A8.4 DIN125 1.4401
14	2	13245005	Latch Quad Panel
15	1	42485023	Lid Synconta 700
16	1.8	43075143	Seal U-Shaped
17	1	42885034	Tank Synconta 700
18	1	43075121	Seal Discharge Synconta 601
19	1	14995002	Float Hook
20	1	11400061	Nut Hex M5 DIN934 1.4301
21	1	11400049	Nut Hex M5 DIN985 1.4401
22	1	11470017	Washer A5.3 DIN125 1.4401
23	1	11470017	Washer A5.3 DIN125 1.4401
24	1	12940082	Cable Gland PG11
25	1	42850011	Stopper Ø19 Cable Hole
26	1	11150002	Seal ID40xOD46x20
27	1	41385043	Pressure Pipe Sanimat 2002 445mm
28	2	15075004	Pipe Clamp Ø50mm
29	2	11210243	Screw Cyl M8x25 DIN912 1.4401
30	1	11210238	Screw Cyl M8x30 DIN912 1.4401
31	1	11470016	Washer A8.4 DIN125 1.4401
32	1	41425082	Bracket KS Synconta 801S
33	1	11400084	Nut Hex M8 DIN985 1.4401
34	2	11400084	Nut Hex M8 DIN985 1.4401
35	2	11470016	Washer A8.4 DIN125 1.4401
36	2	11210251	Screw Cyl M10x50 DIN912 1.4401
37	1	43070159	Gasket Discharge Piece Piranha
38	1	13245004	Key Synconta 801S
39	2	11210234	Screw Cyl M8x40 DIN912 1.4401
40	2	11470016	Washer A8.4 DIN125 1.4401
41	2	11470016	Washer A8.4 DIN125 1.4401
42	2	11400084	Nut Hex M8 DIN985 1.4401
43	1	11125011	O-Ring D20x580 EPDM Synconta 700
44	1	11470016	Washer A8.4 DIN125 1.4401
45	1	43075075	Seal Nirolift Cable D80 EPDM

PARTS IN PLASTIC BAG



ASSEMBLY DRAWING / ZUSAMMENSTELLUNG /
ASSEMBLAGE
SYNCONTA 700

AN-S 18.125 -F
CAD CODE: L\ ANS18125
DATE/NAME: 02/03/09 Barry Mc Donnell
Product/Center: EM Andargen s.r.l./Andargen s.r.l.

